

DEMOLITION BEAM

DEMOLITION BEAM - AIO 601 - CU042



Safety, Flexibility, Productivity for your most demanding jobsites.

The demolition beam is design for high demolition project above 100 meters. It allows you to use a fully automatic quick hitch AIO 601 and an Arden Equipment CU042 shear. It allows the demolition of extremely high concrete or steel structures and is lifted by a crane.

Features :

- ✓ The demolition beam is equipped with:
 - AIO601 quick coupler which provides an emergency tool ejection function in the event of a problem without the risk of hose rupture.
 - An Arden Equipment CU042 shear that brings power, performance and flexibility thanks to the jaw changing system.
 - A tilt cylinder to position the Arden Equipment tool.
- ✓ The demolition beam is operated by a remote control.
- ✓ Hydraulic power is transmited by hoses linked to a hydraulic powerpack or a hydraulic pump from an excavator



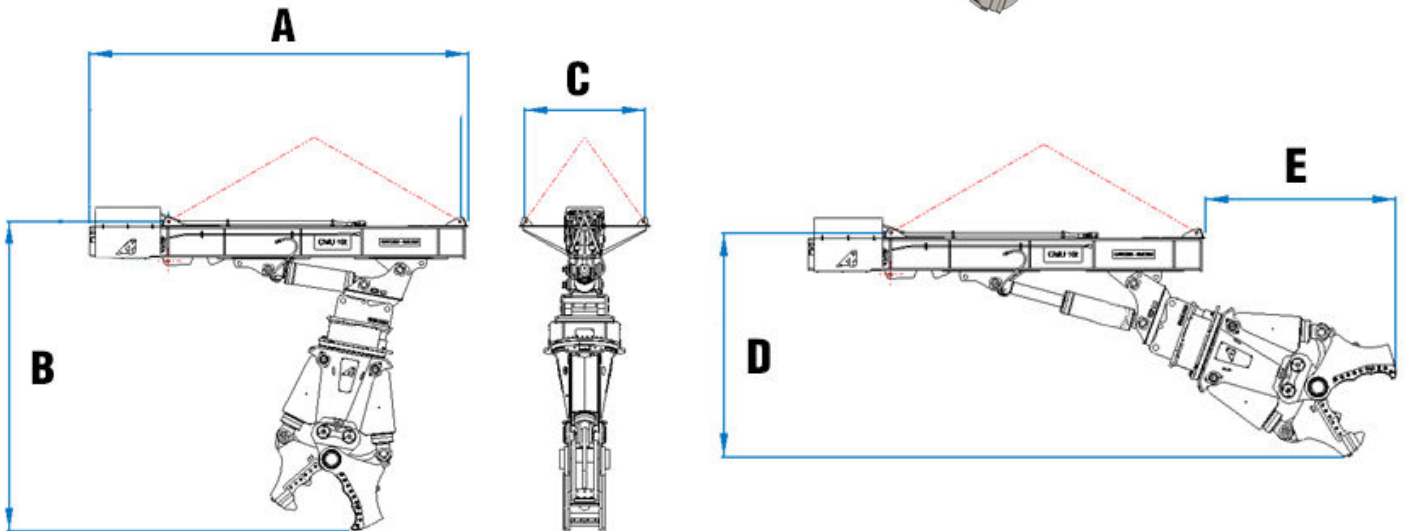
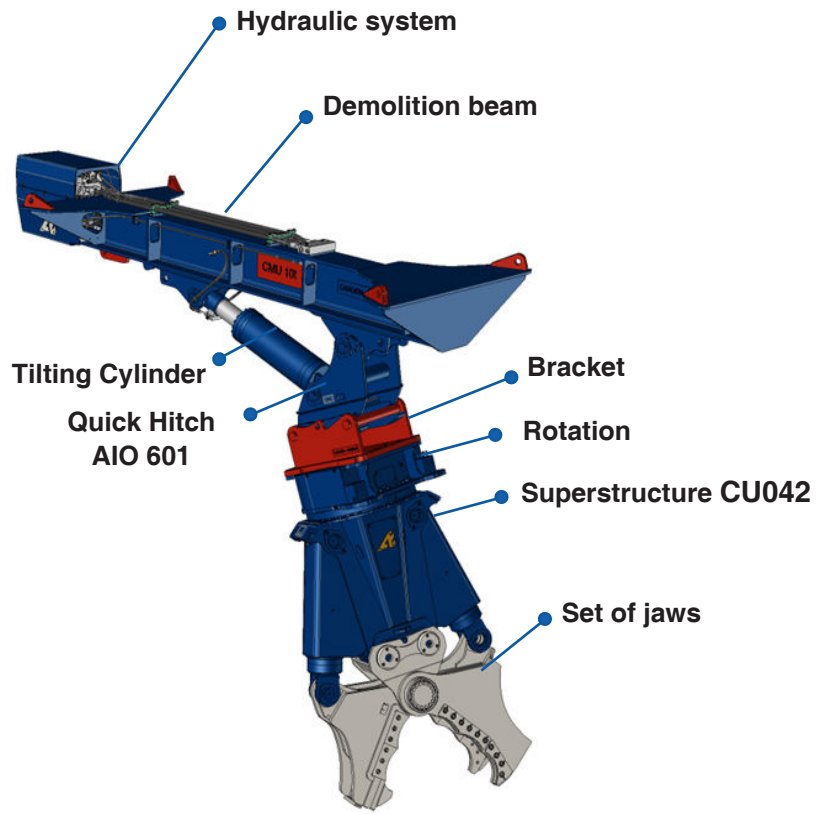
Demolition beam equipped with the AIO 601 and the CU042



Options :

The **Arden Jet** sprays water to reduce dust and odor emissions.

The **speedvalve** reduces the cycle time of opening and closing the jaws on the demolition tool.



Reference	t tons	A mm	B mm	C mm	D mm	E mm
DEMOLITION BEAM	9,4	5060	4130	1600	2854	2427

These dimensions include the demolition beam equipped with AIO 601 and the CU042.

