

Hydraulic Quick Coupler

Proven, Durable
& Trusted for
Generations



Hydraulic Quick Coupler

**SIMPLE,
PROVEN DESIGN WITH
LOW MAINTENANCE**



Safety by Design

Achieve premium site safety and productivity with the industries number one coupler from Geith.

We strongly believe in designing and manufacturing couplers that offer the perfect fit with your excavator. Geith couplers are manufactured specifically to your excavator model to ensure optimum bucket rotation and digging power.

With over 50 years experience, our manufacturing control and process excellence, combined with highly experienced production and design teams, utilise only the best in high strength steels to achieve consistent quality, resulting in superior product performance and durability.

Aftersales & Parts

GEITH PEACE OF MIND

Geith has exceeded customer expectations by constantly manufacturing products with unmatched durability, superior performance and suitability, extended service life and high return on investment. With a strong vision for the future, Geith is a name you can trust for years to come.

FULL SUPPORT ON SPARE PARTS

At Geith, we understand that easy servicing and maintaining couplers is important to our customers. Therefore, we focus on our design, and on making parts more accessible - keeping maintenance time to a minimum. We carry an extensive range of all coupler replacement parts and can ship overnight to minimise downtime.

FAST & EASY INSTALLATION

We provide custom engineered hydraulic kits for all models of excavators with all the parts required for complete installation.

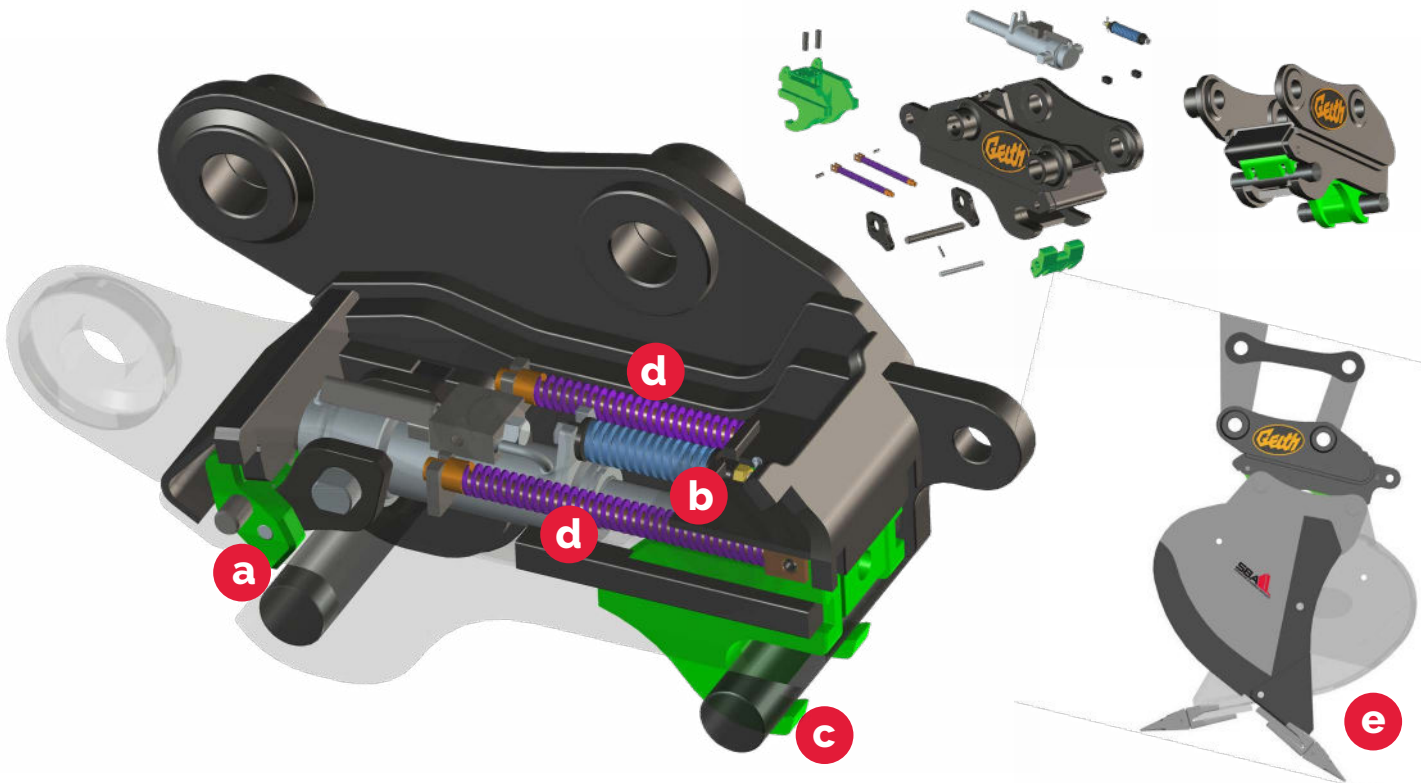
Easy installation with step-by-step guide.

3 YEAR WARRANTY

3 year warranty on Hitch chassis

12 month warranty on all moving parts, cylinders and springs

Features & Benefits



DURABILITY

- Our simple design has no greasing requirements, less maintenance and replacement parts which guarantee you a hassle free coupler.
- Manufactured using extra high strength steel to increase durability while optimising weight to enhance excavator performance.

SAFETY

- Front safety lock **(a)** is forced on by spring **(b)** which retains the attachment in case of misconnection.
- The rear safety lock **(c)** is the secondary safety feature backed up by two powerful springs **(d)** which retains the attachment rear pin in case of cylinder failure.
- Powerful spring activated safety locks work in all dirty environments unlike gravity systems.
- Geith patented “curl to release” control system guarantees the attachment is only released in a safe position (see ‘Using the Geith Coupler’).

PRODUCTIVITY

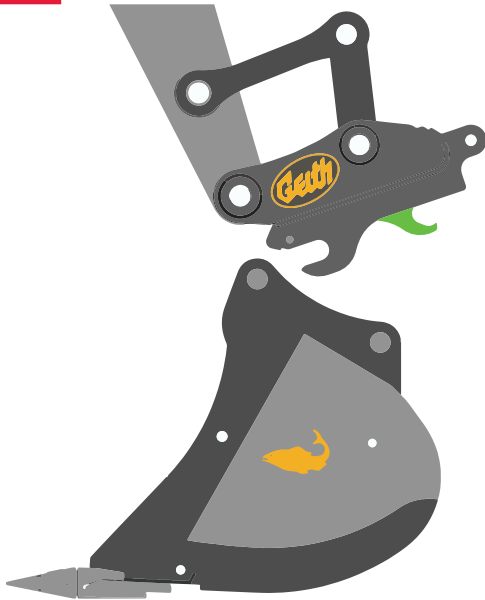
- A Geith Coupler can save you 25% of total machine operating time compared to direct mount.
- Operator can change attachment from the comfort and security of their cab.
- A more compact design means improved tip radius which increases breakout force.

VERSATILITY

- Variable pin centre design allows you to easily pick up and swap the widest range of OEM attachments (see technical specifications).
- Ability to reverse buckets **(e)** to allow the operator to excavate against walls and under pipes.
- Mechanical couplers can easily be upgraded to Hydraulic.

Using the Geith Coupler

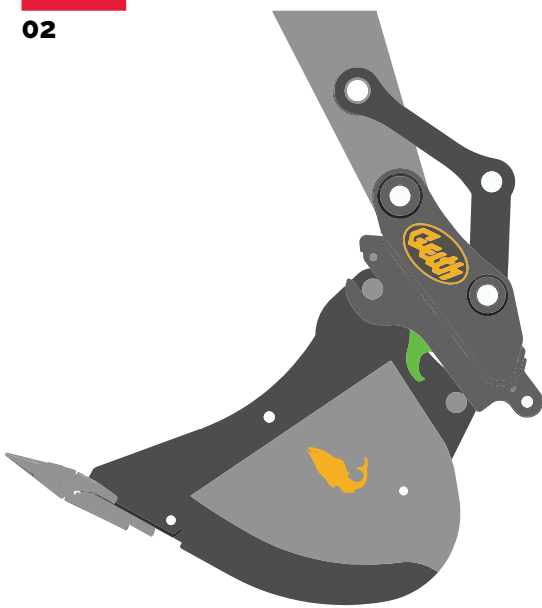
01



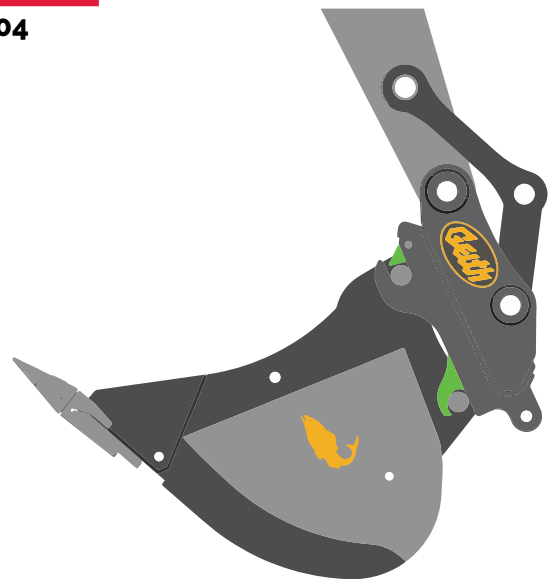
03



02



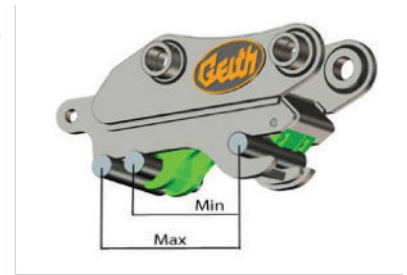
04



- 01 | Hook the bucket
- 02 | Curl to safe position

- 03 | Front lock closes
- 04 | Engaging plate extends

Technical Specifications



EXCAVATOR WEIGHT (tons)	PIN DIAMETER (mm)	COUPLER MODEL (H) Hydraulic	COUPLER WEIGHT (kg)
1-2	25 / 30	QC25-30H	40
2-4	34 / 40	QC35-40H	77
4-8	45 / 50	QC45-50H	73
7-12	50 / 55 / 60	QC50-55-60H	92
12-16	60 / 65	QC60-65H	191
16-25	70 / 80	QC70-80H	327
24-35	90	QC90H	422
30-40	100	QC100H	686
33-46	110	QC110H	750
45-60	115	QC115H	990
50-65	120	QC120H	1130
65-70	130	QC130H	1600-1800
70-87	140	QC140H	1900-2100

The QC weight is approximate and will vary depending on the coupler configuration
All couplers have a variable pin centre pickup range

