

# Multi-Tyne Grab

GP200 G1852  
GP251 G7082  
G0951 GA800  
GA452  
GA550





# Multi-Tyne Grab

**SECURITY**  
**PERFORMANCE**  
**VERSATILITY**  
**ADAPTED DEVICE**  
**ROBUST CONSTRUCTION**



## Features

The Multi-Tyne Grabs GA are adaptable for excavators from 6 to 90 tons and for truck version from 8 to 24 tons.

With their reinforced tyne and their cylinder stems protected by armouring in cast steel, these multi-tyne grabs are especially strong, even in the most extreme use conditions.

This excellent strength can also be explained by pins that have been improved using high frequency treatment, pin passages fitted with rings and a motor + crown rotation adapted to the excavator lifting capacity.

The entire product line has frames manufactured using High Elastic Limit steel (HEL), and all tips made from cast steel are removable and interchangeable over the entire product line, allowing for fast and easy maintenance.

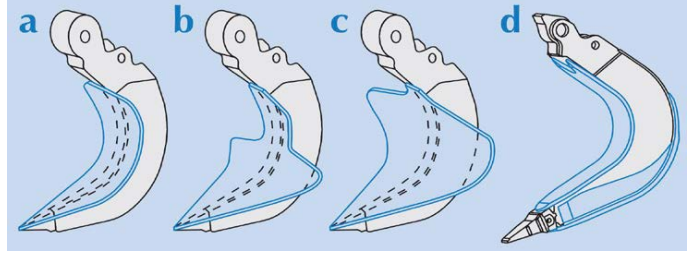
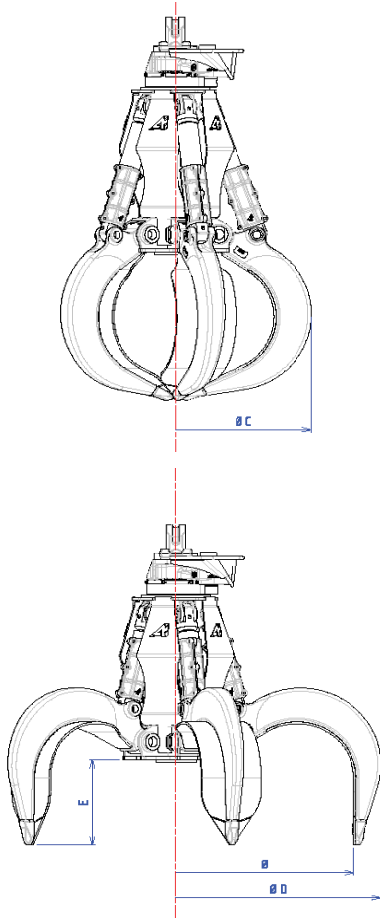
## Advantages

- Adaptable for excavators from 6 to 90 tons and for truck version from 8 to 24 tons
- Strong and reliable
- Fully customisable
- Easy maintenance
- 2 special crane truck versions
- Available with 3, 4, or 5 tyne

## Options

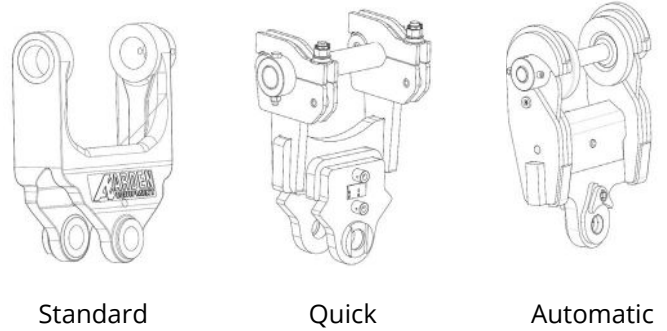
- Reinforced cylinder protection
- Hydraulic hose protection

# Technical Diagrams



- a vertically 1/2 closed
- b horizontally 1/2 closed
- c fully closed
- d special stone placing

## SUSPENSION LINKS



# Technical Characteristics

## Technical specifications

Carrier weight <sup>1</sup>		Reference	Capacity	E Height under frame	Ø Inner open diameter	Ø C Closed diameter	Ø D Open outer diameter	Tool weight <sup>2</sup>
Carrier <sup>1</sup> t	Truck version <sup>1</sup> t	Ref.		mm	mm > mm	mm > mm	mm > mm	kg > kg
6-7	8-15	GP200	270	435	1500	1195	1785	410 > 515
8-10	16-24	GP251	270	435	1500	1195	1785	435 > 540
12-15		GP951	360	430	1750	1342	1916	700 > 855
16-24		GA452	400 > 800	460 > 545	1800 > 2200	1345 > 1670	2140 > 2465	1170 > 1585
24-31		GA550	800 > 1000	545 > 590	2200 > 2400	1620 > 1780	2500 > 2735	1555 > 2050
31-45		G1851	780 > 1500	700 > 879	2400 > 3000	1770 > 1968	2700 > 3340	2550 > 3610
46-53		G7081	2200	780	3200	2270	3570	3470 > 4190
50-90		GA800	3800	949	3700	2830	3620	6170 > 6480
50-90		2x4 tynes			8 tynes grab 2500L - 3000L. Contact Us			

<sup>1</sup> Varies depending on the carrier type (mini digger/crane truck) - Contact Us

<sup>2</sup> The weight varies depending on the tyne type mounted on the frame - weight without universal joint for the 5 tynes version

