

Hydraulic Scrap Shears

AS014
AS021
AS030
AS042
AS055
AS073



Hydraulic Scrap Shears

PERFORMANCE
RELIABILITY
VERSATILITY
ROBUST CONSTRUCTION



Features

The Hydraulic Scrap Shears *AS014, AS021, AS030, AS042, AS055, AS073* are adaptable for work with excavators from 9 to 90 tons.

They can be directly fitted to the arm (with a bolted plate) or on the boom thanks to a fitted rotation.

Our shears are fitted with 360° hydraulic rotation driven by one or more motors (drainless motor).

Their High Elasticity Limit steel lightweight structure and anti-abrasion steel on the zones in contact with the material are especially strong.

The Scrap Shear cylinders are reversed and fully encapsulated inside the body of the shear, providing full protection of the cylinder ram whilst the shear is in operation.

The tool's central articulation is banded and provides effective gap compensation.

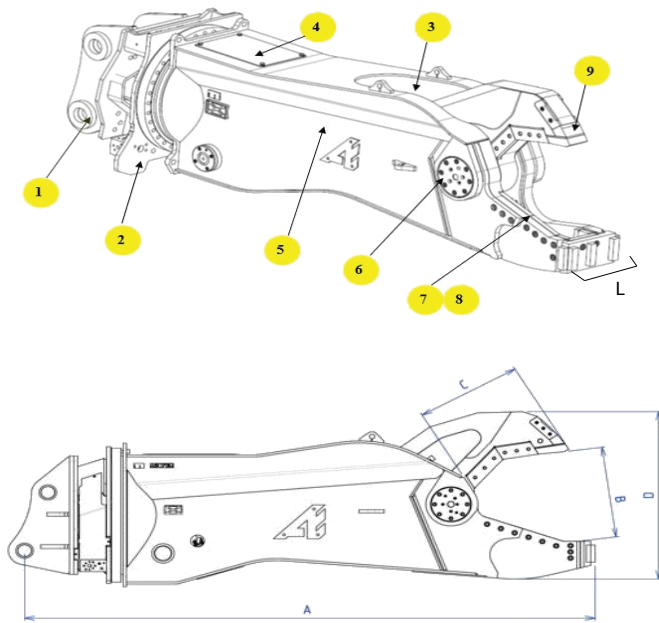
Advantages

- Adaptable for excavators from 9 to 90 tons
- Available in hydraulic or mechanical versions
- Boom and arm assembly or special adaptation
- Drilling template on the top of the rotation to quickly fix all types adapter plate

Options

- Arden Jet on AS030
- Speed Valve on AS014
- Autonomous lubrication

Technical Diagrams



- 1 Bolt on head bracket
- 2 Continuous 360° rotation multi motors
- 3 Reversed cylinder, protected rod
- 4 Speed valve (except AS014R)
- 5 Body in high tensile steel
- 6 Adjustment side guide for the mobile jaw
- 7 Reversible blades, optimised cutting design
- 8 Protected blade seats
- 9 Protected front nose of the mobile jaw

Technical Characteristics

*UB - Universal Beam
*UC - Universal Column

Technical characteristics							Beam profiles			
Carrier weight	Reference	A Tool length	B Jaw Opening	C Jaw depth	D Jaw Height	L Jaw width	UB	UC	Cutting diameter thickness solid/hollow	Tool weight
t	Ref.	mm	mm	mm	mm	mm	mm	mm	mm/mm x mm	kg
9 - 21	AS014R01	2693	435	485	831	345	300	160	50 / 172x7	1400
9 - 21	AS014R01 Opt SV	2693	435	485	831	345	300	160	50 / 127x7	1430
12 - 30	AS021R01	2970	486	538	938	370	400	220	60 / 220x8	2100
16 - 39	AS030R01	3415	560	610	1062	390	450	260	70 / 305x10	3000
21 - 49	AS042R01	3861	650	737	1274	432	500	300	80 / 360x10	4250
21 - 60	AS042R02	3900	650	737	1274	432	500	300	80 / 360x10	4450
24 - 60	AS042R03	3590	650	737	1274	432	500	300	80 / 360x10	4550
24 - 60	AS055R01	4209	745	809	1392	455	600	360	90 / 400x12	5500
25 - 60	AS055R02	3862	745	809	1392	455	600	360	90 / 400x12	5650
25 - 75	AS055R03	4367	745	809	1392	455	600	360	90 / 400x12	5950
33 - 75	AS055R04	3929	745	809	1392	455	600	360	90 / 400x12	6100
34 - 75	AS073R02	4200	840	927	1552	510	700	450	100 / 560x16	7445
34 - 85	AS073R01	4540	840	927	1552	510	700	450	100 / 560x16	7360

