

# Concrete Pulverisers

BBH014

BBH020

BBH031

BBH1000

BBH1300



# Concrete Pulverisers

SECURITY  
VERSATILITY  
TIME SAVING  
ROBUST CONSTRUCTION



## Features

**The concrete pulverisers BBH are adaptable for work with excavators from 15 to 80 tons.**

With their wide jaw opening, the Arden Equipment BBH line provides higher productivity than universal tools, or specific tools fitted with jaws for concrete.

By making it possible to recycle scrap directly on site, they guarantee significant time saving for your missions of recycling.

The pulveriser configuration can be customised using 2 types of jaw that can be fitted on BBHs, to be selected depending on the required type of crushing or the waste configuration.

They are equipped with a round cut at the back of the throat.

**Available with BOOSTER:** pressure multiplier (700 bar)

- Cycle time reduction
- Identical cutting force with less pressure and oil flow
- Opened to limit dust
- Closed to perfectly clean the scrap of any concrete residue - *ideal to process pre-stressed concrete*

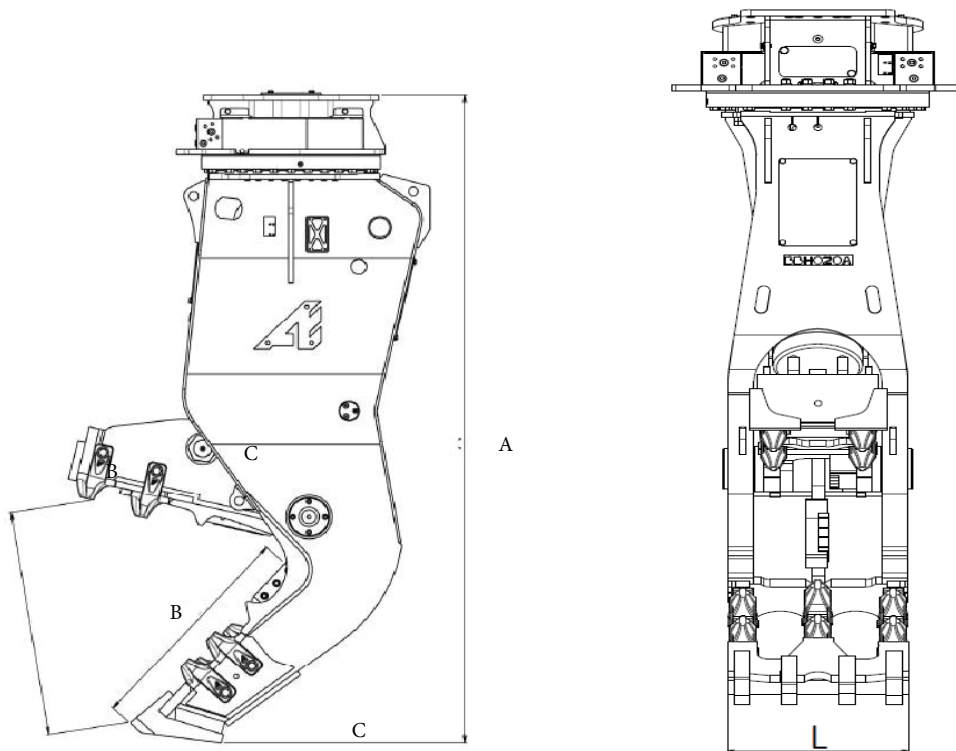
## Advantages

- Available for excavators from 13 to 80 tons
- Available with or without rotation
- These tools are exclusively for use in recycling and secondary demolition
- Arden Equipment hydraulic concrete pulverisers are the ideal tools for work on the ground and for demolition, waste recycling, and concrete crushing

## Options

- Arden Jet
- Speed Valve
- Booster on BBH014
- Closure plate to refine the grain size

# Technical Diagrams



# Technical Characteristics

## Technical specifications<sup>1</sup>

Carrier weight	Reference	A Tool Length	B Jaw Opening	C Jaw depth	L Jaw width	Cutting diameter thickness	Tool weight <sup>2</sup>
t	Ref.	mm	mm	mm	mm	mm	kg
13-22	BBH014	1974-2331	646	735	470	30	1433-1727
15-32	BBH020	2328-2725	919	901	565	40	2100-2320
24-39	BBH031	2671-3065	1031	1028	670	60	3226-3817
30-45	BBH1000	2620-3012	960	820	720	40	3260-3710
45-80	BH1300	5200	1250	1083	835	60	5160-6900

<sup>1</sup> For all dimensions, they vary depending on the model and the selected options - only the range of possible sizes is given here

<sup>2</sup> With bolted plate

