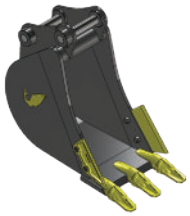
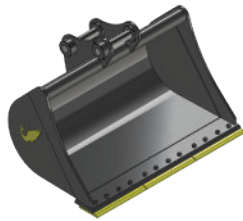


Mini Excavator Buckets



GP BUCKET



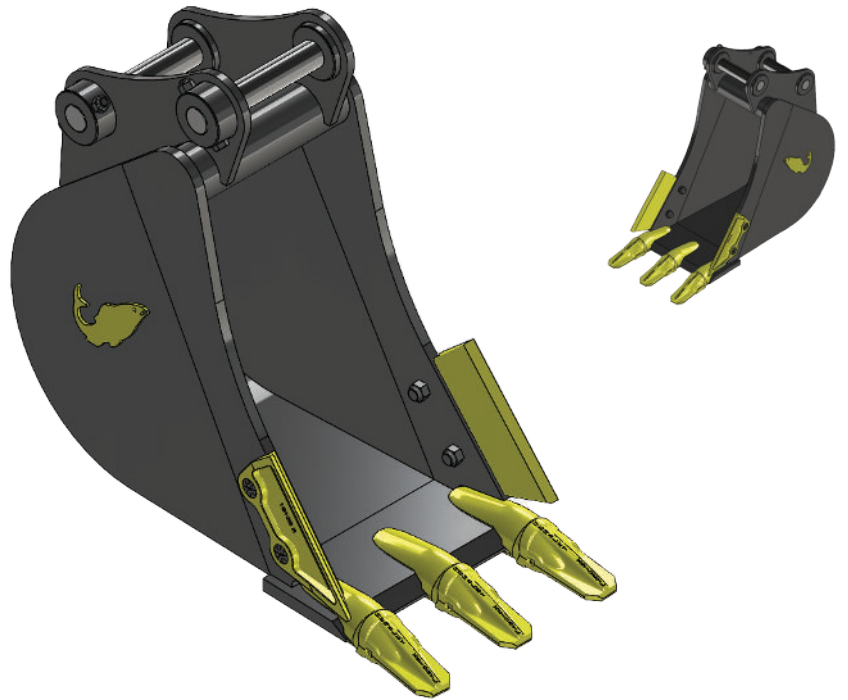
MUD BUCKET



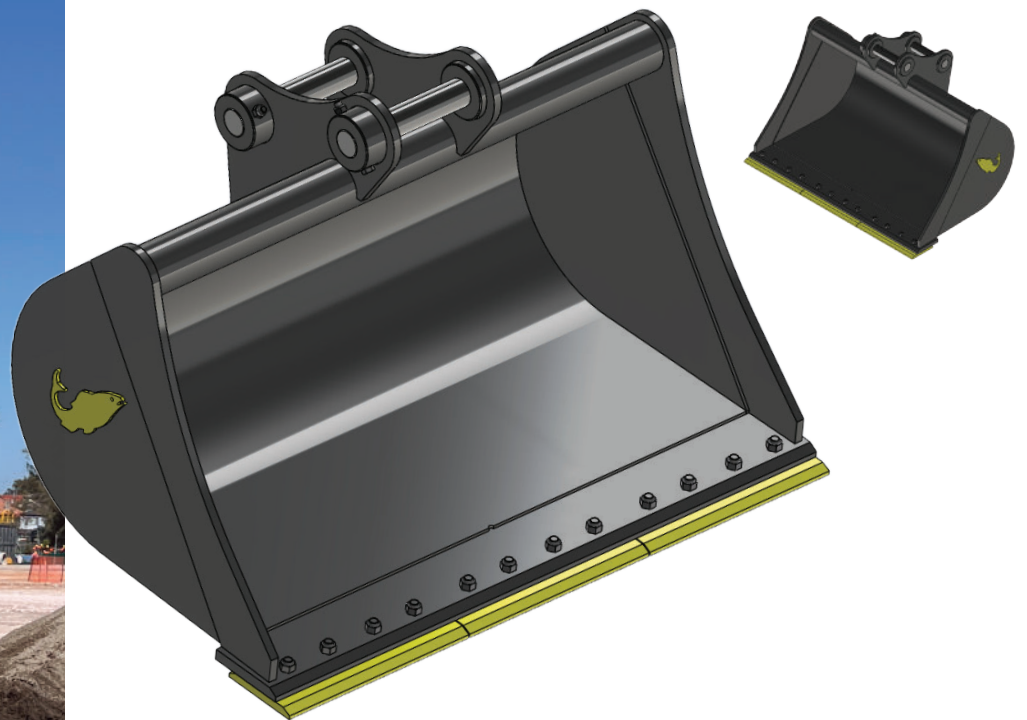
Mini Excavator Buckets

AUSTRALIA'S LEADING
EARTHMOVING
ATTACHMENT
SPECIALISTS

GP Bucket



Mud Bucket



EXCAVATOR WEIGHT	MODEL	WIDTH (mm)	HEAPED CAPACITY (m3)	WEIGHT (kgs)
1-1.9T	1ME230 GP	230	0.012	29
	1ME300 GP	300	0.016	40
	1ME450 GP	450	0.025	53
	1ME900 SF	900	0.07	83
2-2.9T	2ME230 GP	230	0.024	40
	2ME300 GP	300	0.03	55
	2ME450 GP	450	0.06	75
	2ME1000 SF	1000	0.15	130
3-3.9T	3ME300 GP	300	0.04	74
	3ME450 GP	450	0.06	94
	3ME600 GP	600	0.09	105
	3ME1000 SF	1000	0.14	130
	3ME1200 SF	1200	0.2	160
4-4.9T	4ME300 GP	300	0.05	101
	4ME450 GP	450	0.1	122
	4ME600 GP	600	0.15	145
	4ME1200 SF	1200	0.3	175
5-5.9T	5ME300 GP	300	0.07	110
	5ME450 GP	450	0.11	130
	5ME600 GP	600	0.16	150
	5ME1200 SF	1200	0.38	225
6-9T	6ME300 GP	300	0.1	157
	6ME450 GP	450	0.15	177
	6ME600 GP	600	0.21	207
	6ME1500 SF	1500	0.65	357



SUBSCRIBE TO SBA